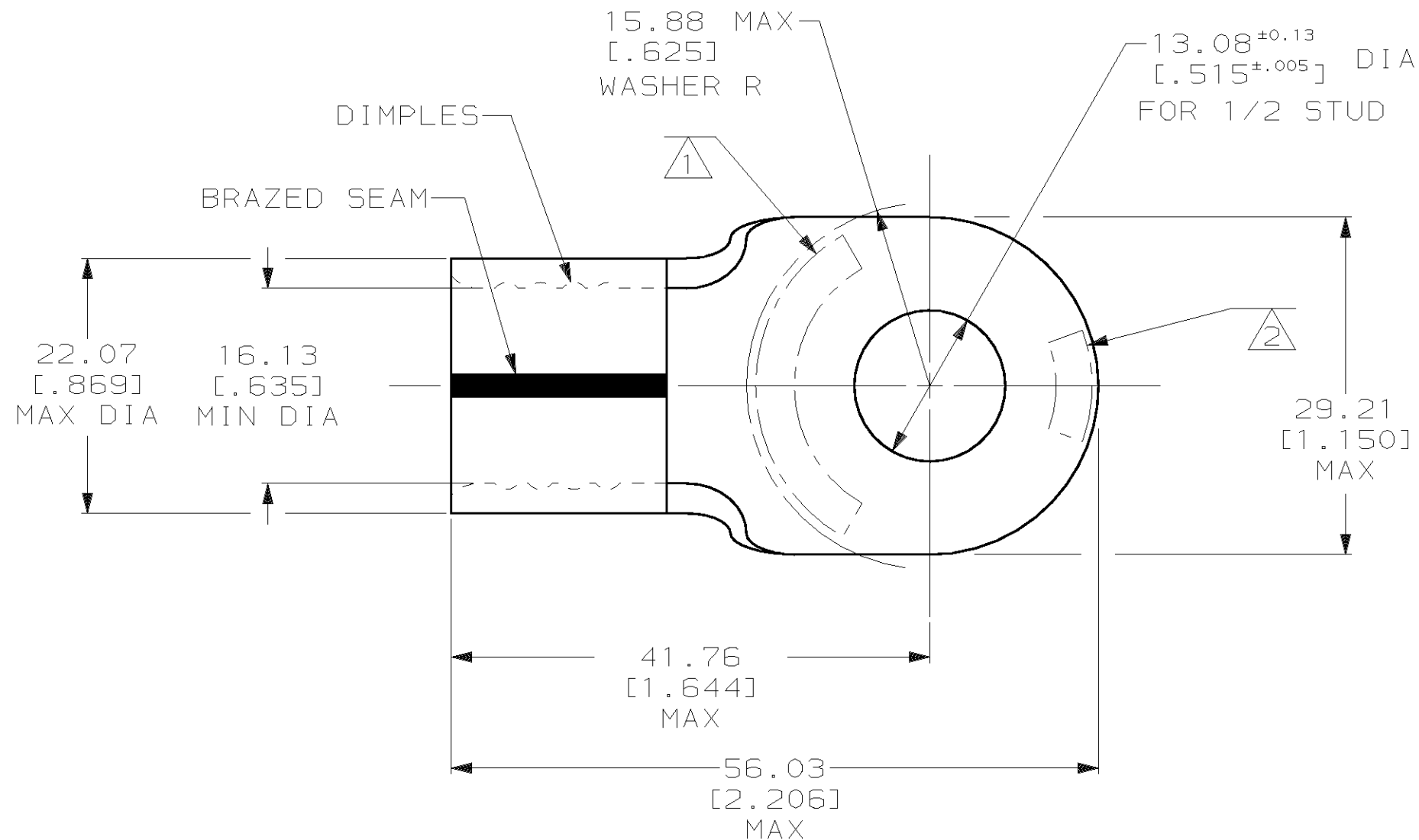


THIS DRAWING IS UNPUBLISHED. RELEASED FOR PUBLICATION, 19 .
 © COPYRIGHT 19 BY AMP INCORPORATED. ALL INTERNATIONAL RIGHTS RESERVED.

LOC	DIST	P	F	REVISIONS				
G	14			ZONE	LTR	DESCRIPTION	DATE	APPD
					J	REV PER 0G3A-0328-02	07JUN02	SR MS

AMP PART NO	MATERIAL	PKG TYPE	QTY
8-36934-3	M/F 8-36934-0	BOX	25



AMP WIRE RANGE	UL E13288 Listed
4/0 AWG SOLID OR STRANDED	4/0 AWG SOLID OR STRANDED
UL LR7189 Certified	MILITARY P/N AND CLASS
4/0 AWG SOLID OR STRANDED	NOT APPLICABLE

- ① STAMP AMP 4/0W* APPROX AS SHOWN
- ② STAMP 200 APPROX AS SHOWN
- ③ MATERIAL THK: 2.59±0.08 [.102±.003]

36934

PART NO

AMP INCORPORATED CUSTOMER SERVICE SYSTEMS		MAX RECOMMENDED OPERATING TEMPERATURE: 170°C MAX		DO NOT SCALE PRINT. UNLESS SPECIFIED DIMENSIONS IN mm [INCHES] TOLERANCES ON: 2 PLC DEC ± 0.20[.008] 3 PLC DEC ± - ANGLES ± -		DR 5/20/93 DK SCHRUM CHK 1/27/94 RD HEIM APPD 1/27/94 RE ROSER APPD 1/27/94 JL MECKLEY PRODUCT SPEC - APPLICATION SPEC - WEIGHT -		AMP AMP Incorporated Harrisburg, PA 17105-3608		
FOR ADDITIONAL PRODUCT INFORMATION OR COPIES OF DRAWINGS AND TECHNICAL DOCUMENTS	PRODUCT INFORMATION CENTER 1-800-522-6752	VOLTAGE RATING: NOT APPLICABLE		MATERIAL COPPER PER ASTM B-152 ANNEALED		NAME TERMINAL, RING TONGUE, SOLISTRAND		SIZE B	CAGE CODE 00779	DRAWING NO C-36934
FOR APPLICATION TOOLING INFORMATION	TOOLING ASSISTANCE CENTER 1-800-722-1111	WIRE CROSS SECTIONAL AREA RANGE: 96.3-117.0mm ² [190,000-231,100] CIR MILS SOLID OR STRANDED		FINISH TIN PLATE 0.00254[.000100] MIN THK PER ASTM B 545		SCALE 2:1		SHEET 1 OF 1		
FOR ORDER ENTRY	1-800-526-5142	THIS DRAWING IS A CONTROLLED DOCUMENT FOR AMP INCORPORATED. IT IS SUBJECT TO CHANGE AND THE CONTROLLING ENGINEERING ORGANIZATION SHOULD BE CONTACTED FOR THE LATEST REVISION.								